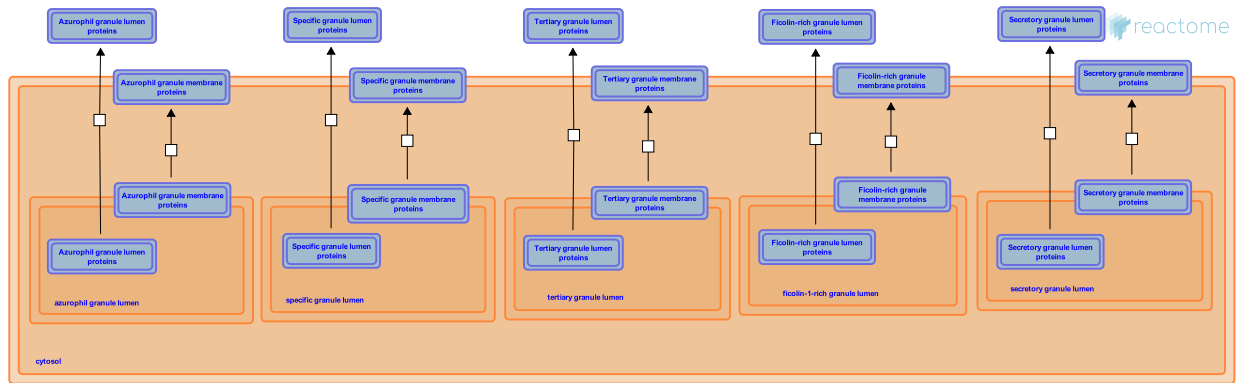


Neutrophil degranulation



European Bioinformatics Institute, New York University Langone Medical Center, Ontario Institute for Cancer Research, Oregon Health and Science University.

The contents of this document may be freely copied and distributed in any media, provided the authors, plus the institutions, are credited, as stated under the terms of [Creative Commons Attribution 4.0 International \(CC BY 4.0\) License](https://creativecommons.org/licenses/by/4.0/). For more information see our [license](#).

Introduction

Reactome is open-source, open access, manually curated and peer-reviewed pathway database. Pathway annotations are authored by expert biologists, in collaboration with Reactome editorial staff and cross-referenced to many bioinformatics databases. A system of evidence tracking ensures that all assertions are backed up by the primary literature. Reactome is used by clinicians, geneticists, genomics researchers, and molecular biologists to interpret the results of high-throughput experimental studies, by bioinformaticians seeking to develop novel algorithms for mining knowledge from genomic studies, and by systems biologists building predictive models of normal and disease variant pathways.

The development of Reactome is supported by grants from the US National Institutes of Health (P41 HG003751), University of Toronto (CFREF Medicine by Design), European Union (EU STRP, EMI-CD), and the European Molecular Biology Laboratory (EBI Industry program).

Literature references

- Fabregat, A., Sidiropoulos, K., Viteri, G., Forner, O., Marin-Garcia, P., Arnau, V. et al. (2017). Reactome pathway analysis: a high-performance in-memory approach. *BMC bioinformatics*, 18, 142. [↗](#)
- Sidiropoulos, K., Viteri, G., Sevilla, C., Jupe, S., Webber, M., Orlic-Milacic, M. et al. (2017). Reactome enhanced pathway visualization. *Bioinformatics*, 33, 3461-3467. [↗](#)
- Fabregat, A., Jupe, S., Matthews, L., Sidiropoulos, K., Gillespie, M., Garapati, P. et al. (2018). The Reactome Pathway Knowledgebase. *Nucleic Acids Res*, 46, D649-D655. [↗](#)
- Fabregat, A., Korninger, F., Viteri, G., Sidiropoulos, K., Marin-Garcia, P., Ping, P. et al. (2018). Reactome graph database: Efficient access to complex pathway data. *PLoS computational biology*, 14, e1005968. [↗](#)

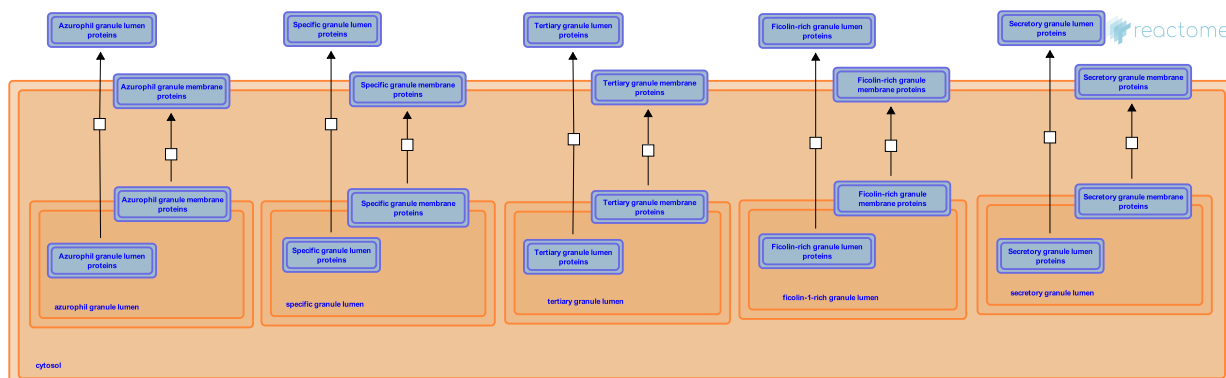
Reactome database release: 75

This document contains 1 pathway and 10 reactions ([see Table of Contents](#))

Neutrophil degranulation ↗

Stable identifier: R-CFA-6798695

Inferred from: Neutrophil degranulation (Homo sapiens)



This event has been computationally inferred from an event that has been demonstrated in another species.

The inference is based on the homology mapping from PANTHER. Briefly, reactions for which all involved PhysicalEntities (in input, output and catalyst) have a mapped orthologue/paralogue (for complexes at least 75% of components must have a mapping) are inferred to the other species. High level events are also inferred for these events to allow for easier navigation.

[More details and caveats of the event inference in Reactome.](/electronic_inference_compara.html) For details on PANTHER see also: <http://www.pantherdb.org/about.jsp>

Exocytosis of azurophil granule lumen proteins ↗

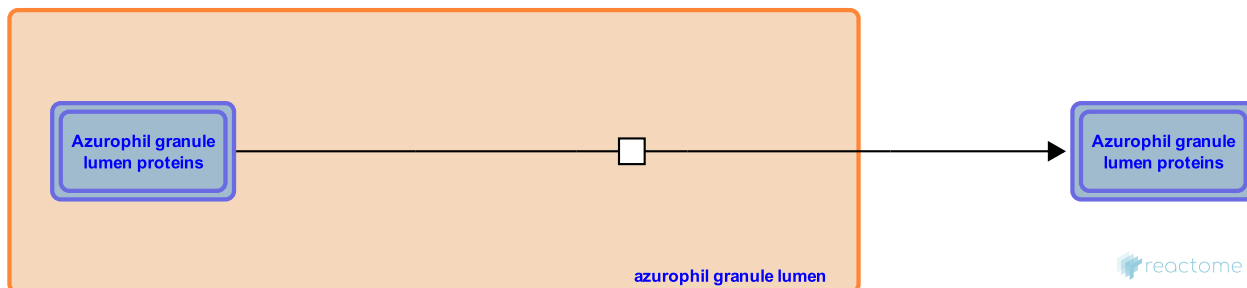
Location: [Neutrophil degranulation](#)

Stable identifier: R-CFA-6798751

Type: transition

Compartments: azurophil granule lumen, extracellular region

Inferred from: [Exocytosis of azurophil granule lumen proteins \(Homo sapiens\)](#)



This event has been computationally inferred from an event that has been demonstrated in another species.

The inference is based on the homology mapping from PANTHER. Briefly, reactions for which all involved PhysicalEntities (in input, output and catalyst) have a mapped orthologue/paralogue (for complexes at least 75% of components must have a mapping) are inferred to the other species. High level events are also inferred for these events to allow for easier navigation.

[More details and caveats of the event inference in Reactome.](/electronic_inference_compara.html) For details on PANTHER see also: <http://www.pantherdb.org/about.jsp>

Exocytosis of azurophil granule membrane proteins ↗

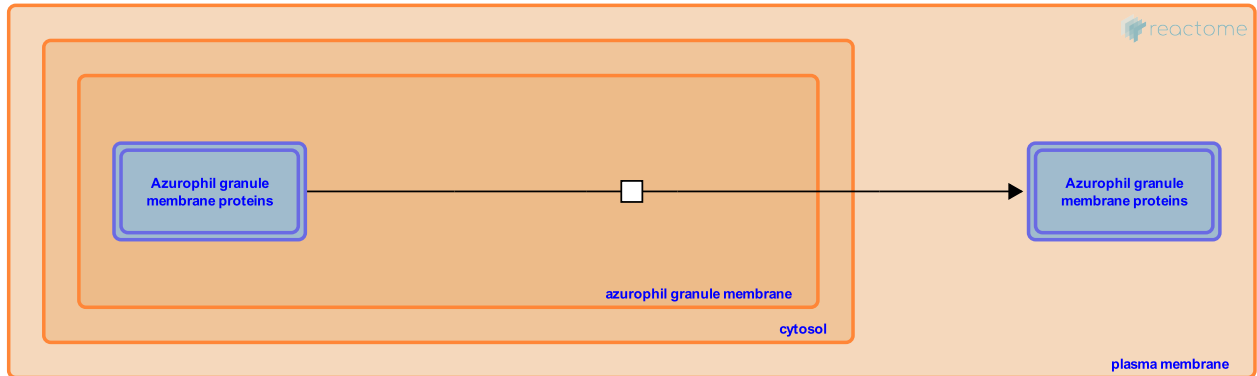
Location: [Neutrophil degranulation](#)

Stable identifier: R-CFA-6798739

Type: transition

Compartments: azurophil granule membrane, plasma membrane

Inferred from: [Exocytosis of azurophil granule membrane proteins \(Homo sapiens\)](#)



This event has been computationally inferred from an event that has been demonstrated in another species.

The inference is based on the homology mapping from PANTHER. Briefly, reactions for which all involved PhysicalEntities (in input, output and catalyst) have a mapped orthologue/paralogue (for complexes at least 75% of components must have a mapping) are inferred to the other species. High level events are also inferred for these events to allow for easier navigation.

[More details and caveats of the event inference in Reactome.](/electronic_inference_compara.html) For details on PANTHER see also: <http://www.pantherdb.org/about.jsp>

Exocytosis of specific granule lumen proteins ↗

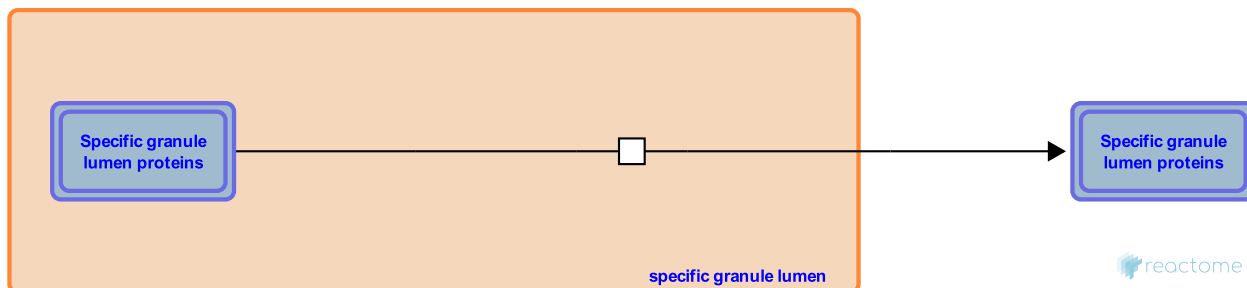
Location: [Neutrophil degranulation](#)

Stable identifier: R-CFA-6798749

Type: transition

Compartments: specific granule lumen, extracellular region

Inferred from: [Exocytosis of specific granule lumen proteins \(Homo sapiens\)](#)



This event has been computationally inferred from an event that has been demonstrated in another species.

The inference is based on the homology mapping from PANTHER. Briefly, reactions for which all involved PhysicalEntities (in input, output and catalyst) have a mapped orthologue/paralogue (for complexes at least 75% of components must have a mapping) are inferred to the other species. High level events are also inferred for these events to allow for easier navigation.

[More details and caveats of the event inference in Reactome.](/electronic_inference_compara.html) For details on PANTHER see also: <http://www.pantherdb.org/about.jsp>

Exocytosis of specific granule membrane proteins ↗

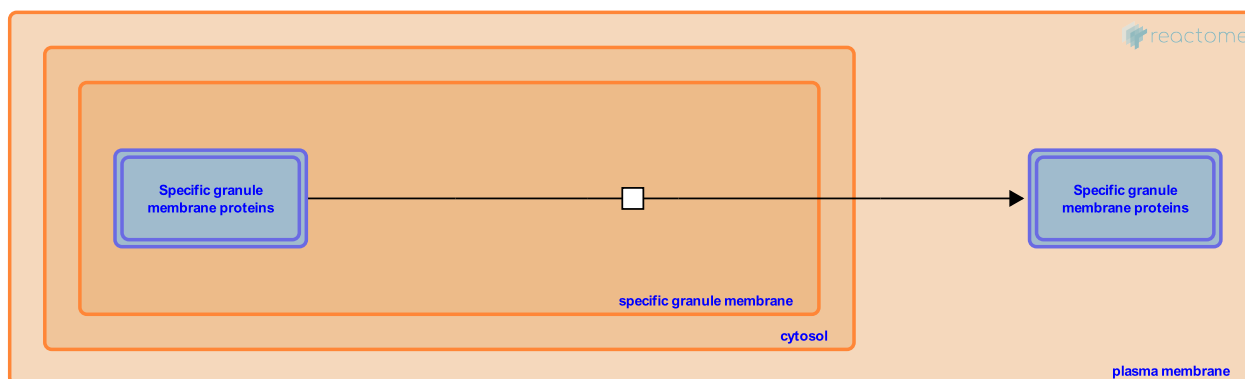
Location: [Neutrophil degranulation](#)

Stable identifier: R-CFA-6799350

Type: transition

Compartments: specific granule membrane, plasma membrane

Inferred from: [Exocytosis of specific granule membrane proteins \(Homo sapiens\)](#)



This event has been computationally inferred from an event that has been demonstrated in another species.

The inference is based on the homology mapping from PANTHER. Briefly, reactions for which all involved PhysicalEntities (in input, output and catalyst) have a mapped orthologue/paralogue (for complexes at least 75% of components must have a mapping) are inferred to the other species. High level events are also inferred for these events to allow for easier navigation.

[More details and caveats of the event inference in Reactome.](/electronic_inference_compara.html) For details on PANTHER see also: <http://www.pantherdb.org/about.jsp>

Exocytosis of tertiary granule lumen proteins ↗

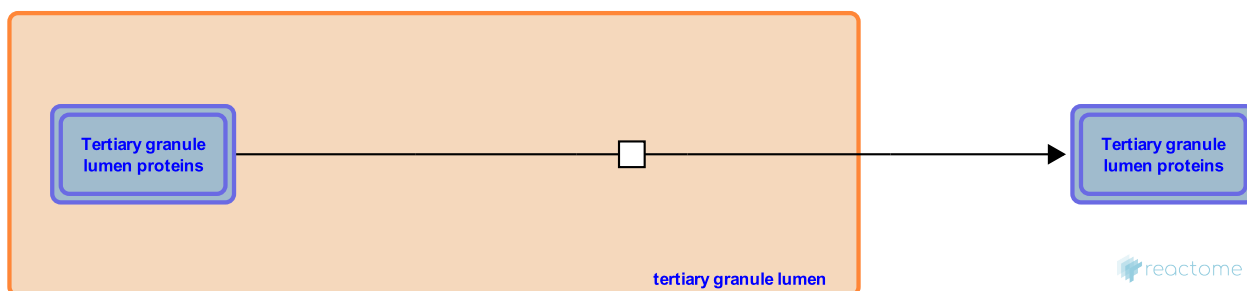
Location: [Neutrophil degranulation](#)

Stable identifier: R-CFA-6798745

Type: transition

Compartments: tertiary granule lumen, extracellular region

Inferred from: [Exocytosis of tertiary granule lumen proteins \(Homo sapiens\)](#)



This event has been computationally inferred from an event that has been demonstrated in another species.

The inference is based on the homology mapping from PANTHER. Briefly, reactions for which all involved PhysicalEntities (in input, output and catalyst) have a mapped orthologue/paralogue (for complexes at least 75% of components must have a mapping) are inferred to the other species. High level events are also inferred for these events to allow for easier navigation.

[More details and caveats of the event inference in Reactome.](/electronic_inference_compara.html) For details on PANTHER see also: <http://www.pantherdb.org/about.jsp>

Exocytosis of tertiary granule membrane proteins ↗

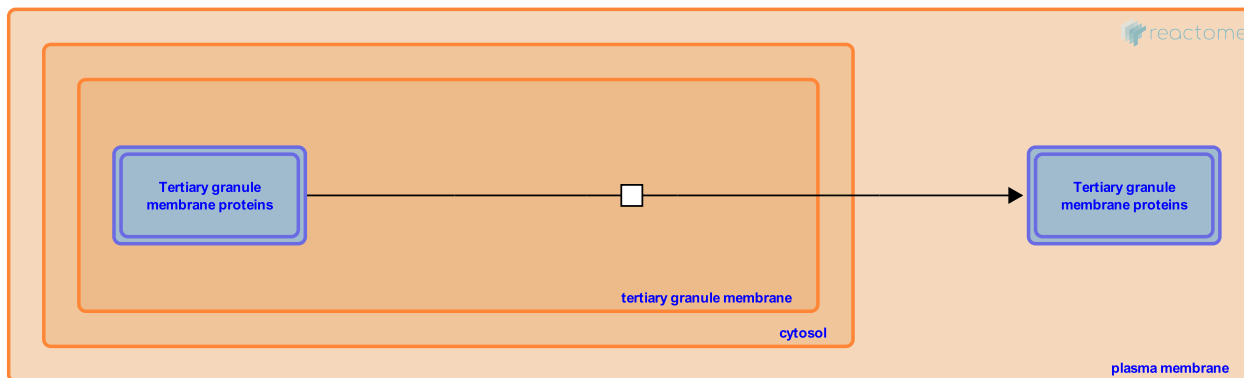
Location: [Neutrophil degranulation](#)

Stable identifier: R-CFA-6798747

Type: transition

Compartments: tertiary granule membrane, plasma membrane

Inferred from: [Exocytosis of tertiary granule membrane proteins \(Homo sapiens\)](#)



This event has been computationally inferred from an event that has been demonstrated in another species.

The inference is based on the homology mapping from PANTHER. Briefly, reactions for which all involved PhysicalEntities (in input, output and catalyst) have a mapped orthologue/paralogue (for complexes at least 75% of components must have a mapping) are inferred to the other species. High level events are also inferred for these events to allow for easier navigation.

[More details and caveats of the event inference in Reactome.](/electronic_inference_compara.html) For details on PANTHER see also: <http://www.pantherdb.org/about.jsp>

Exocytosis of ficolin-rich granule lumen proteins ↗

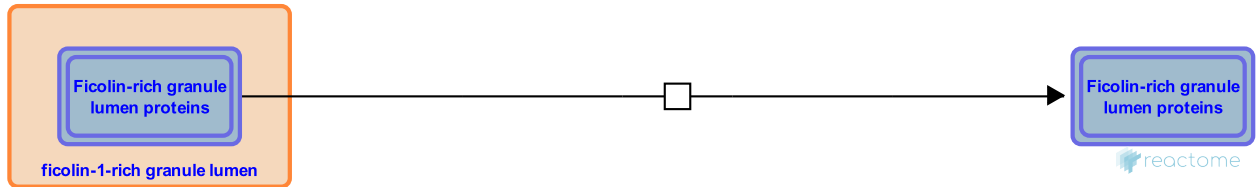
Location: [Neutrophil degranulation](#)

Stable identifier: R-CFA-6800434

Type: transition

Compartments: extracellular region, ficolin-1-rich granule lumen

Inferred from: [Exocytosis of ficolin-rich granule lumen proteins \(Homo sapiens\)](#)



This event has been computationally inferred from an event that has been demonstrated in another species.

The inference is based on the homology mapping from PANTHER. Briefly, reactions for which all involved PhysicalEntities (in input, output and catalyst) have a mapped orthologue/paralogue (for complexes at least 75% of components must have a mapping) are inferred to the other species. High level events are also inferred for these events to allow for easier navigation.

[More details and caveats of the event inference in Reactome.](/electronic_inference_compara.html) For details on PANTHER see also: <http://www.pantherdb.org/about.jsp>

Exocytosis of ficolin-rich granule membrane proteins ↗

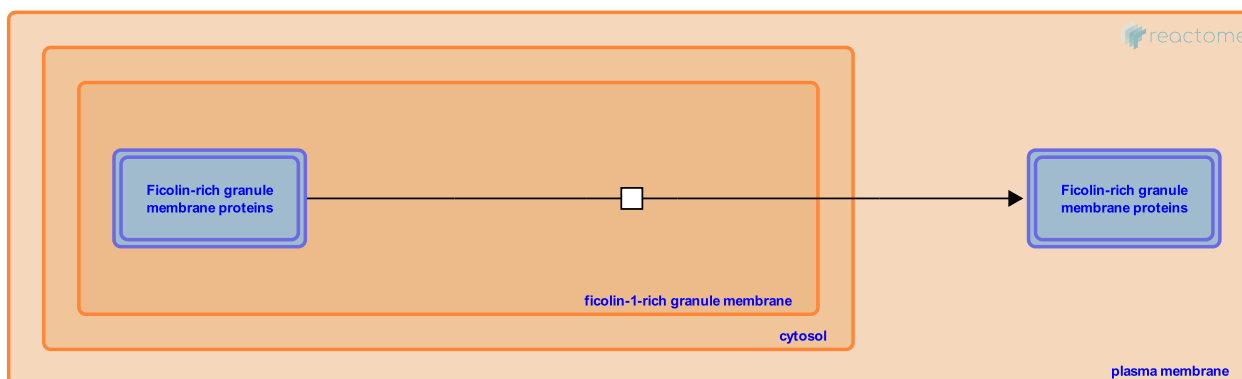
Location: [Neutrophil degranulation](#)

Stable identifier: R-CFA-6800426

Type: transition

Compartments: ficolin-1-rich granule membrane, plasma membrane

Inferred from: [Exocytosis of ficolin-rich granule membrane proteins \(Homo sapiens\)](#)



This event has been computationally inferred from an event that has been demonstrated in another species.

The inference is based on the homology mapping from PANTHER. Briefly, reactions for which all involved PhysicalEntities (in input, output and catalyst) have a mapped orthologue/paralogue (for complexes at least 75% of components must have a mapping) are inferred to the other species. High level events are also inferred for these events to allow for easier navigation.

[More details and caveats of the event inference in Reactome.](/electronic_inference_compara.html) For details on PANTHER see also: <http://www.pantherdb.org/about.jsp>

Exocytosis of secretory granule lumen proteins ↗

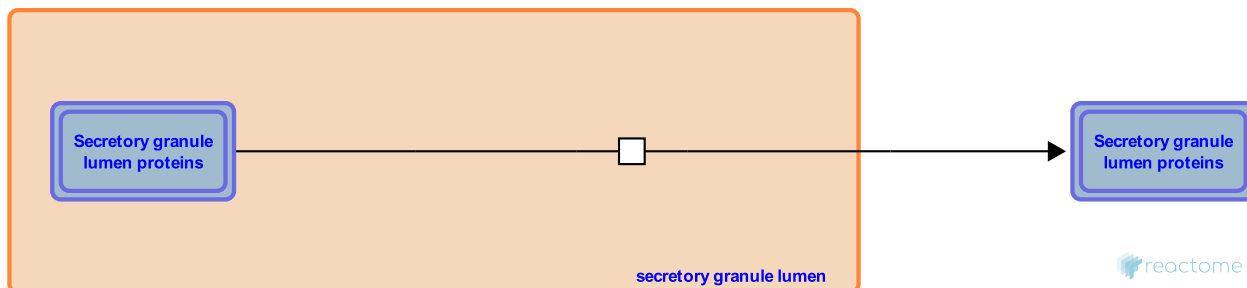
Location: [Neutrophil degranulation](#)

Stable identifier: R-CFA-6798748

Type: transition

Compartments: secretory granule lumen, extracellular region

Inferred from: [Exocytosis of secretory granule lumen proteins \(Homo sapiens\)](#)



This event has been computationally inferred from an event that has been demonstrated in another species.

The inference is based on the homology mapping from PANTHER. Briefly, reactions for which all involved PhysicalEntities (in input, output and catalyst) have a mapped orthologue/paralogue (for complexes at least 75% of components must have a mapping) are inferred to the other species. High level events are also inferred for these events to allow for easier navigation.

[More details and caveats of the event inference in Reactome.](/electronic_inference_compara.html) For details on PANTHER see also: <http://www.pantherdb.org/about.jsp>

Exocytosis of secretory granule membrane proteins ↗

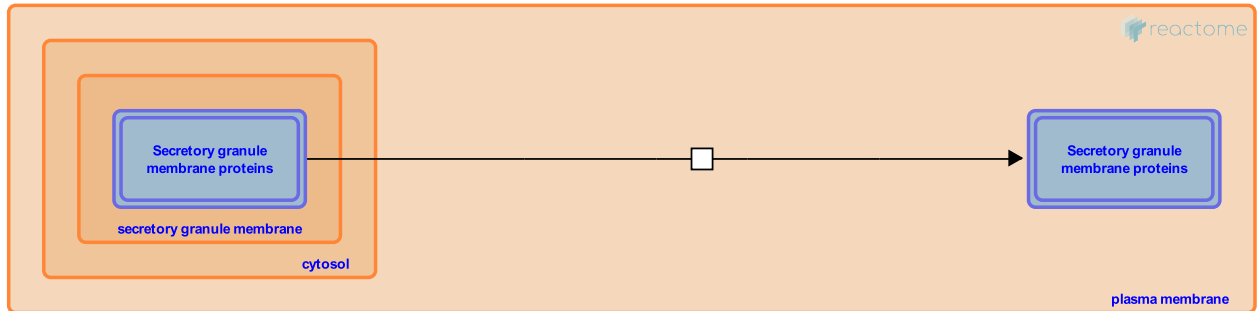
Location: [Neutrophil degranulation](#)

Stable identifier: R-CFA-6798743

Type: transition

Compartments: plasma membrane, secretory granule membrane

Inferred from: [Exocytosis of secretory granule membrane proteins \(Homo sapiens\)](#)



This event has been computationally inferred from an event that has been demonstrated in another species.

The inference is based on the homology mapping from PANTHER. Briefly, reactions for which all involved PhysicalEntities (in input, output and catalyst) have a mapped orthologue/paralogue (for complexes at least 75% of components must have a mapping) are inferred to the other species. High level events are also inferred for these events to allow for easier navigation.

[More details and caveats of the event inference in Reactome.](/electronic_inference_compara.html) For details on PANTHER see also: <http://www.pantherdb.org/about.jsp>

Table of Contents

Introduction	1
☒ Neutrophil degranulation	2
↳ Exocytosis of azurophil granule lumen proteins	3
↳ Exocytosis of azurophil granule membrane proteins	4
↳ Exocytosis of specific granule lumen proteins	5
↳ Exocytosis of specific granule membrane proteins	6
↳ Exocytosis of tertiary granule lumen proteins	7
↳ Exocytosis of tertiary granule membrane proteins	8
↳ Exocytosis of ficolin-rich granule lumen proteins	9
↳ Exocytosis of ficolin-rich granule membrane proteins	10
↳ Exocytosis of secretory granule lumen proteins	11
↳ Exocytosis of secretory granule membrane proteins	12
Table of Contents	13