

NOTCH1 stimulates HES1 transcription

Chuang, L.S., D'Eustachio, P., Egan, S.E., Haw, R., Ito, Y., Orlic-Milacic, M.

European Bioinformatics Institute, New York University Langone Medical Center, Ontario Institute for Cancer Research, Oregon Health and Science University.

The contents of this document may be freely copied and distributed in any media, provided the authors, plus the institutions, are credited, as stated under the terms of [Creative Commons Attribution 4.0 International \(CC BY 4.0\) License](#). For more information see our [license](#).

Introduction

Reactome is open-source, open access, manually curated and peer-reviewed pathway database. Pathway annotations are authored by expert biologists, in collaboration with Reactome editorial staff and cross-referenced to many bioinformatics databases. A system of evidence tracking ensures that all assertions are backed up by the primary literature. Reactome is used by clinicians, geneticists, genomics researchers, and molecular biologists to interpret the results of high-throughput experimental studies, by bioinformaticians seeking to develop novel algorithms for mining knowledge from genomic studies, and by systems biologists building predictive models of normal and disease variant pathways.

The development of Reactome is supported by grants from the US National Institutes of Health (P41 HG003751), University of Toronto (CFREF Medicine by Design), European Union (EU STRP, EMI-CD), and the European Molecular Biology Laboratory (EBI Industry program).

Literature references

- Fabregat, A., Sidiropoulos, K., Viteri, G., Forner, O., Marin-Garcia, P., Arnau, V. et al. (2017). Reactome pathway analysis: a high-performance in-memory approach. *BMC bioinformatics*, 18, 142. [↗](#)
- Sidiropoulos, K., Viteri, G., Sevilla, C., Jupe, S., Webber, M., Orlic-Milacic, M. et al. (2017). Reactome enhanced pathway visualization. *Bioinformatics*, 33, 3461-3467. [↗](#)
- Fabregat, A., Jupe, S., Matthews, L., Sidiropoulos, K., Gillespie, M., Garapati, P. et al. (2018). The Reactome Pathway Knowledgebase. *Nucleic Acids Res*, 46, D649-D655. [↗](#)
- Fabregat, A., Korninger, F., Viteri, G., Sidiropoulos, K., Marin-Garcia, P., Ping, P. et al. (2018). Reactome graph database: Efficient access to complex pathway data. *PLoS computational biology*, 14, e1005968. [↗](#)

Reactome database release: 75

This document contains 1 reaction ([see Table of Contents](#))

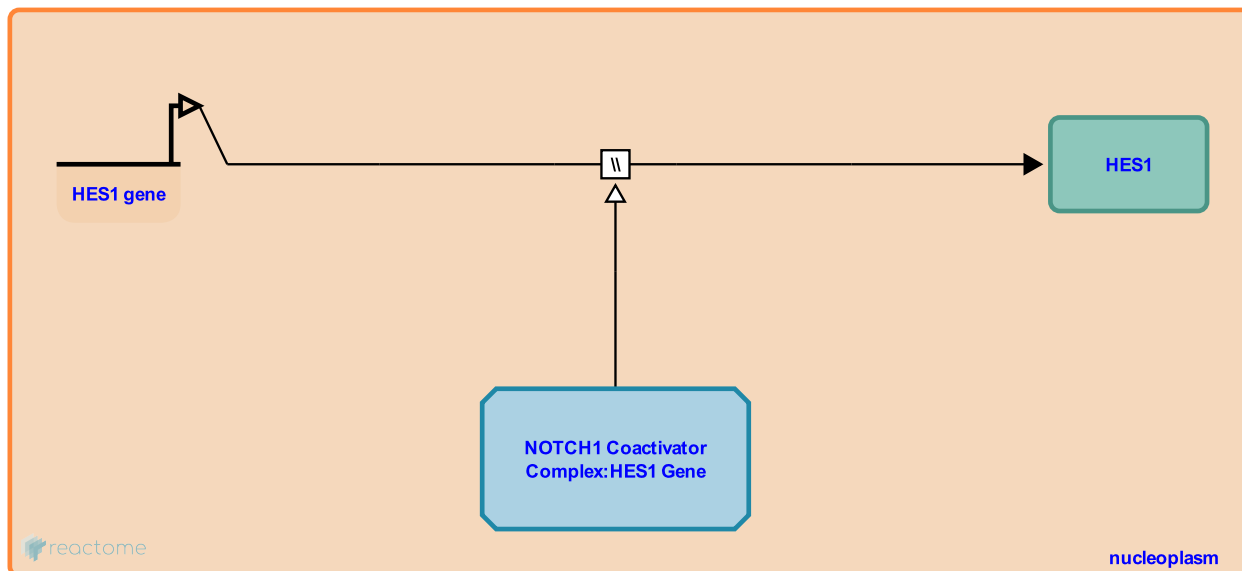
NOTCH1 stimulates HES1 transcription ↗

Stable identifier: R-HSA-1980047

Type: omitted

Compartments: nucleoplasm

Inferred from: [mNICD1 stimulates Hes1 transcription \(Homo sapiens\)](#)



NOTCH1 coactivator complex binds the promoter of HES1 gene and directly stimulates HES1 transcription. HES1 belongs to the bHLH family of transcription factors (Jarriault et al. 1995).

Literature references

Jarriault, S., Brou, C., Logeat, F., Schroeter, EH., Kopan, R., Israel, A. (1995). Signalling downstream of activated mammalian Notch. *Nature*, 377, 355-8. ↗

Editions

2011-11-14	Authored	Egan, SE., Orlic-Milacic, M.
2012-02-06	Reviewed	Haw, R.
2012-02-07	Edited	D'Eustachio, P.
2012-02-11	Edited	Orlic-Milacic, M.
2017-01-31	Reviewed	Ito, Y., Chuang, LS.
2017-01-31	Edited	Orlic-Milacic, M.