

# **PUS1 isoform 1 transforms uridine-27, uridine-28 yielding pseudouridine in tRNA(Lys,Ser)**

Jarrous, N., Levinger, L., May, B., Motorin, Y., Powell, CA.

European Bioinformatics Institute, New York University Langone Medical Center, Ontario Institute for Cancer Research, Oregon Health and Science University.

The contents of this document may be freely copied and distributed in any media, provided the authors, plus the institutions, are credited, as stated under the terms of [Creative Commons Attribution 4.0 International \(CC BY 4.0\) License](#). For more information see our [license](#).

## Introduction

Reactome is open-source, open access, manually curated and peer-reviewed pathway database. Pathway annotations are authored by expert biologists, in collaboration with Reactome editorial staff and cross-referenced to many bioinformatics databases. A system of evidence tracking ensures that all assertions are backed up by the primary literature. Reactome is used by clinicians, geneticists, genomics researchers, and molecular biologists to interpret the results of high-throughput experimental studies, by bioinformaticians seeking to develop novel algorithms for mining knowledge from genomic studies, and by systems biologists building predictive models of normal and disease variant pathways.

The development of Reactome is supported by grants from the US National Institutes of Health (P41 HG003751), University of Toronto (CFREF Medicine by Design), European Union (EU STRP, EMI-CD), and the European Molecular Biology Laboratory (EBI Industry program).

## Literature references

- Fabregat, A., Sidiropoulos, K., Viteri, G., Forner, O., Marin-Garcia, P., Arnau, V. et al. (2017). Reactome pathway analysis: a high-performance in-memory approach. *BMC bioinformatics*, 18, 142. [↗](#)
- Sidiropoulos, K., Viteri, G., Sevilla, C., Jupe, S., Webber, M., Orlic-Milacic, M. et al. (2017). Reactome enhanced pathway visualization. *Bioinformatics*, 33, 3461-3467. [↗](#)
- Fabregat, A., Jupe, S., Matthews, L., Sidiropoulos, K., Gillespie, M., Garapati, P. et al. (2018). The Reactome Pathway Knowledgebase. *Nucleic Acids Res*, 46, D649-D655. [↗](#)
- Fabregat, A., Korninger, F., Viteri, G., Sidiropoulos, K., Marin-Garcia, P., Ping, P. et al. (2018). Reactome graph database: Efficient access to complex pathway data. *PLoS computational biology*, 14, e1005968. [↗](#)

Reactome database release: 70

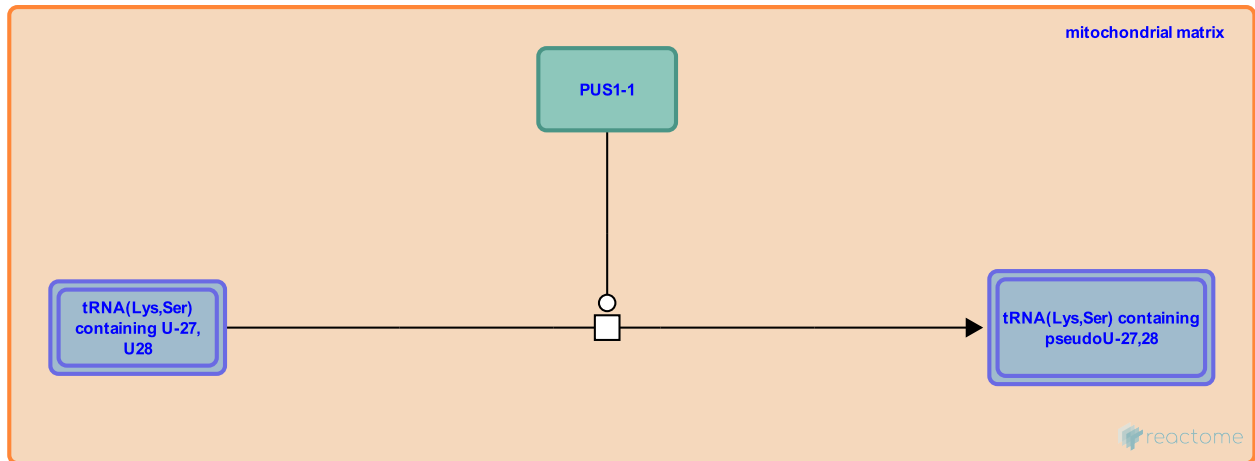
This document contains 1 reaction ([see Table of Contents](#))

## PUS1 isoform 1 transforms uridine-27, uridine-28 yielding pseudouridine in tRNA(Lys,Ser) ↗

**Stable identifier:** R-HSA-6787566

**Type:** transition

**Compartments:** mitochondrial matrix



PUS1-1, the longer isoform of PUS1 located in the mitochondrion (Fernandez-Vizarra et al. 2007), converts uridine-27 and uridine-28 to pseudouridine residues in the anticodon stems of mitochondrial tRNA(Lys)(UUU) and tRNA(Ser)(UGA) (Patton et al. 2005, Fernandez-Vizarra et al. 2007, Sibert et al. 2008, Sibert and Patton 2012). Isomerization of uracil to pseudouridine creates an extra hydrogen bond donor and increases base stacking, acting to rigidify the RNA structure (reviewed in Charette and Gray 2000). As inferred from yeast Pus1p, PUS1 may also convert uridine to pseudouridine in other tRNAs and pre-tRNAs. Mutations in PUS1 cause mitochondrial myopathy and sideroblastic anemia (MLSA) (Bykhovskaya et al. 2004, Patton et al. 2005, Fernandez-Vizarra et al. 2007)

### Literature references

- Charette, M., Gray, MW. (2000). Pseudouridine in RNA: what, where, how, and why. *IUBMB Life*, 49, 341-51. ↗
- Patton, JR., Bykhovskaya, Y., Mengesha, E., Bertolotto, C., Fischel-Ghodsian, N. (2005). Mitochondrial myopathy and sideroblastic anemia (MLSA): missense mutation in the pseudouridine synthase 1 (PUS1) gene is associated with the loss of tRNA pseudouridylation. *J. Biol. Chem.*, 280, 19823-8. ↗
- Fernandez-Vizarra, E., Berardinelli, A., Valente, L., Tiranti, V., Zeviani, M. (2007). Nonsense mutation in pseudouridylate synthase 1 (PUS1) in two brothers affected by myopathy, lactic acidosis and sideroblastic anaemia (MLSA). *J. Med. Genet.*, 44, 173-80. ↗
- Sibert, BS., Patton, JR. (2012). Pseudouridine synthase 1: a site-specific synthase without strict sequence recognition requirements. *Nucleic Acids Res.*, 40, 2107-18. ↗
- Sibert, BS., Fischel-Ghodsian, N., Patton, JR. (2008). Partial activity is seen with many substitutions of highly conserved active site residues in human Pseudouridine synthase 1. *RNA*, 14, 1895-906. ↗

### Editions

2015-07-13	Authored, Edited	May, B.
2015-08-10	Reviewed	Levinger, L.
2015-08-25	Reviewed	Motorin, Y.
2015-10-24	Reviewed	Jarrous, N.
2015-11-07	Reviewed	Powell, CA.